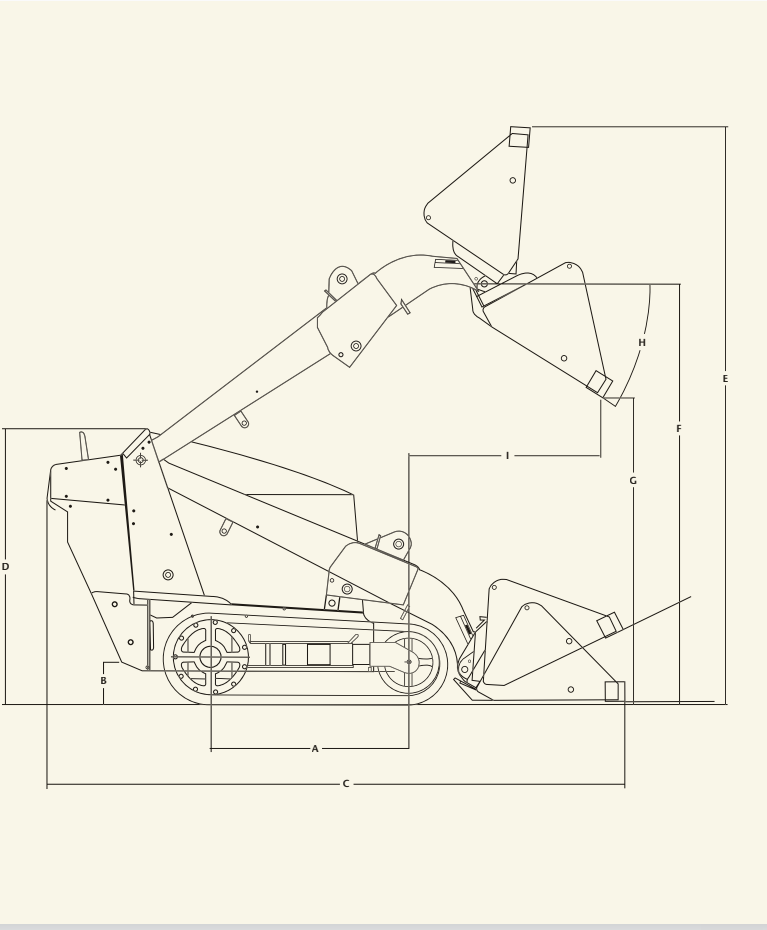


Toro® Dingo® TX Tracked Models SPECIFICATIONS



TORO DINGO TX TRACKED MODELS

TX 525	Kubota® 25 hp (gross hp) D902E3B diesel engine
TX 525 Wide Track	Kubota 25 hp (gross hp) D902E3B diesel engine
TX 427	Kohler® Command Pro® Series 27 hp (gross hp)
TX 427 Wide Track	Kohler Command Pro Series 27 hp (gross hp)
TX 413	Honda® GX390 13 hp (gross hp)

ENGINE

Air Filter	Models TX 427/525: Two-stage, heavy-duty, remote Model TX 413: Standard dry air cleaner
Cooling System	Models TX 525: Liquid cooled Models TX 427/TX 413: Air cooled
Fuel Tank	Models TX 525/TX 427 – 6 gallons (23 liters) Model TX 413 – 3 gallons (11.4 liters)
Oil Capacity	Models TX 525 – 3.84 quarts (3.63 liters) Models TX 427 – 2 quarts (1.9 liters) Model TX 413 – 1.16 quarts (1.1 liters)

HYDRAULIC SYSTEM

Pressure	Models TX 525/TX 427 – 3000 psi Model TX 413 – 2540 psi
Flow	Models TX 525 – 13.8 gpm auxiliary; 6 gpm loader arm; 16.9 gpm traction (each pump) Models TX 427 – 11.4 gpm auxiliary; 6 gpm loader arm; 16.9 gpm traction (each pump) Model TX 413 – 7 gpm combined (loader/aux.)
Reservoir Capacity	Models TX 525/TX 427 – 10.5 gallons (40 liters) Model TX 413 – 10 gallons (38 liters)
Auxiliary Horsepower	Models TX 525; 24 hp Models TX 427; 20 hp Model TX 413; 10 hp

TRACK

Standard	Models TX 525/TX 427 Wide Track – Endless Kevlar® reinforced rubber, 96.6" x 9.5", single internal tooth drive; Models TX 525/TX 427/TX 413 – Endless Kevlar reinforced rubber, 96.6" x 5.9", single internal tooth drive
----------	------------------------------------------------------------------------------------------------------------------------------------------------------------------------------------------------------------------------------

TRACK DRIVE

Standard	Sprocket-drive, 10 road wheels per side, cast iron track guide
Traction	Dual hydrostatic pump

DIMENSIONS

	TX 525	TX 525 Wide Track	TX 427	TX 427 Wide Track	TX 413
Track Width	5.9"	9.5"	5.9"	9.5"	5.9"
A Wheelbase	31.2" (79 cm)	31.2" (79 cm)	31.2" (79 cm)	31.2" (79 cm)	31.1" (79 cm)
B Ground Clearance	4.6" (11.7 cm)	4.6" (11.7 cm)	4.6" (11.7 cm)	4.6" (11.7 cm)	5.8" (9.65 cm)
C Overall Length	92" (233.7 cm) w/ bucket; 70.7" (180 cm) w/o bucket	92" (233.7 cm) w/ bucket; 70.7" (180 cm) w/o bucket	92" (233.7 cm) w/ bucket; 70.7" (180 cm) w/o bucket	92" (233.7 cm) w/ bucket; 70.7" (180 cm) w/o bucket	86.7" (220.2 cm) w/ bucket; 66.1" (167.9 cm) w/o bucket
Overall Width	33.7" (85.6 cm)	41" (104 cm)	33.7" (85.6 cm)	41" (104 cm)	33.7" (85.6 cm)
D Overall Height	46.1" (117.1 cm)	46.1" (117.1 cm)	46.1" (117.1 cm)	46.1" (117.1 cm)	42.5" (107.9 cm)
E Maximum Operating Height	90.1" (229 cm)	90.1" (229 cm)	90.1" (229 cm)	90.1" (229 cm)	76.4" (194 cm)
F Hinge Pin Height	65.8" (167.1 cm)	65.8" (167.1 cm)	65.8" (167.1 cm)	65.8" (167.1 cm)	48" (167.1 cm)
G Dump Height	46.1" (117.1 cm)	46.1" (117.1 cm)	46.1" (117.1 cm)	46.1" (117.1 cm)	31.2" (79.3 cm)
H Dump Angle	38°	38°	38°	38°	45°
I Reach	21.8" (55.4 cm) fully raised	21.8" (55.4 cm) fully raised	21.8" (55.4 cm) fully raised	21.8" (55.4 cm) fully raised	21.5" (54.6 cm) fully raised
Ground Speed	0–4.5 mph forward, 0–2 mph reverse	0–4.5 mph forward, 0–2 mph reverse	0–4.5 mph forward, 0–2 mph reverse	0–4.5 mph forward, 0–2 mph reverse	0–3 mph forward, 0–1.5 mph reverse
Tip Capacity	1580 lbs. (717 kg)	1580 lbs. (717 kg)	1530 lbs. (694 kg)	1530 lbs. (694 kg)	1200 lbs. (544 kg)
SAE J818 Rating 50% tip capacity	790 lbs. (360 kg)	790 lbs. (360 kg)	765 lbs. (348 kg)	765 lbs. (348 kg)	600 lbs. (273 kg)
SAE J818 Rating 35% tip capacity	553 lbs. (251 kg)	553 lbs. (251 kg)	535 lbs. (243 kg)	535 lbs. (243 kg)	420 lbs. (191 kg)
Weight (w/ std. bucket)	2030 lbs. (921 kg)	2127 lbs. (965 kg)	2006 lbs. (910 kg)	2186 lbs. (992 kg)	1466 lbs. (655 kg)
Weight (w/o bucket)	1904 lbs. (864 kg)	2001 lbs. (908 kg)	1882 lbs. (934 kg)	2075 lbs. (934 kg)	1340 lbs. (608 kg)
Ground Pressure	5.2 psi	3.4 psi	5.1 psi	3.5 psi	3.6 psi