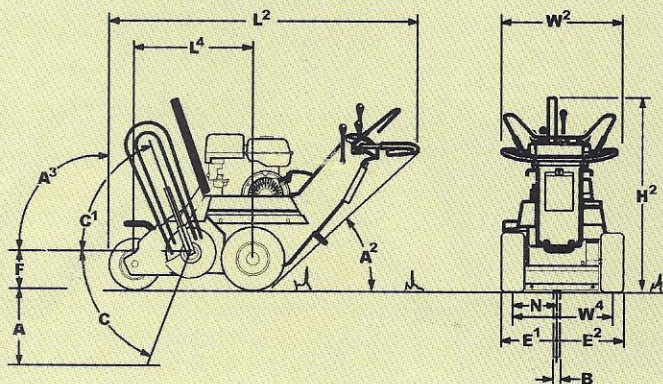


S P E C S

1030 / 1230



DIMENSIONAL	U.S.	METRIC
A Trench Depth, maximum*		
1030	30 in	760 mm
1230	36 in	910 mm
A² Angle of Approach	47°	47°
A³ Angle of Departure	90°	90°
B Trench Width*	4.3 - 6.0 in	110 - 150 mm
C Boom Travel Down	65°	65°
C¹ Boom Travel Up		
1030	47°	47°
1230	55°	55°
E¹ Centerline Trench to Outside Edge of Machine, left	15.1 in	380 mm
E² Centerline Trench to Outside Edge of Machine, right	16.9 in	430 mm
F Headshaft Height, digging chain	8.6 in	220 mm
H² Transport Height	49 in	1.2 m
L² Transport Length		
1030	72 in	1.8 m
1230	78 in	1.9 m
L⁴ Wheelbase	32 in	810 mm
N Spoil Discharge Reach	10.6 in	270 mm
W² Transport Width	32 in	800 mm
W⁴ Tread	26 in	660 mm

*Dimensions are based on 16 x 6.50 x 8 tires and 24-inch (610 mm) depth boom (except for reference A).

GENERAL

Ditch Witch model 1030 or 1230 self-propelled walkalong manually steered two-wheel drive rigid-frame chain-type trencher.

OPERATIONAL

Vehicle Speeds

1030		
Maximum transit forward	176 fpm	54 m/min
Maximum transit reverse	176 fpm	54 m/min
1230		
Maximum transit forward	160 fpm	49 m/min
Maximum transit reverse	135 fpm	42 m/min
Digging Chain Speed	276 fpm	84 m/min
Spoil Handling: single, open-end auger		
Outer Diameter	12 in	305 mm
Inner Diameter	4 in	102 mm
Length	9 in	229 mm
Operating Weight, based on 33,000-pound (14,969 kg) test, 2-pitch digging chain	900 lb	408 kg

TRENCH SIZES

Trench Depth		Trench Width	
U.S.	METRIC	U.S.	METRIC
24 in	610 mm	4.0 in	100 mm
24 in	610 mm	6.0 in	150 mm
30 in	760 mm	4.0 in	100 mm
36 in*	910 mm	4.0 in	100 mm

*1230 only

HONDA® POWER OPTION

Engine Model		
1030	Honda GX340	
1230	Honda GX390	
Fuel	Gasoline	
Cooling Medium	Air	
Number of Cylinders	1	
Displacement	20.6 in³	337 cm³
Bore	3.22 in	82 mm
Stroke	2.52 in	64 mm
Engine Manufacturer's Gross Power Rating at 3600 rpm		
1030	11 hp	8.2 kW
1230	13 hp	9.7 kW

	U.S.	METRIC
Fuel Consumption at 3200 rpm	0.89 gph	3.4 L/h
Maximum Tilt Angle**	20°	20°
Fuel Tank Capacity	1.7 gal	6.5 L
Engine Oil Capacity	2.3 pt	1.1 L

KOHLER® POWER OPTION

Engine Model		
1030	Kohler Command CH-11	
1230	Kohler Command CH-12.5	
Fuel	Gasoline	
Cooling Medium	Air	
Number of Cylinders	1	
Displacement	24.3 cm³	398 cm³
Bore	3.43 in	87 mm
Stroke	2.64 in	67 mm
Engine Manufacturer's Gross Power Rating at 3600 rpm		
1030	11 hp	8.2 kW
1230	12.5 hp	9.3 kW
Maximum Governed Speed As Installed* (no load)	3400 rpm	3400 r/min
Flywheel Power at 3200 rpm (full load)		
1030	10.8 hp	8.1 kW
1230	12.2 hp	9.1 kW
Fuel Consumption at 3200 rpm	0.83 gph	3.1 L/h
Maximum Tilt Angle**	25°	25°
Fuel Tank Capacity		
1030	1.5 gal	5.7 L
1230	1.6 gal	6.0 L
Engine Oil Capacity	4.0 pt	1.9 L

* All product support policy is void if engine is run above "Maximum Governed Speed As Installed (no load)."

**Exceeding these operating angles will cause engine damage. This DOES NOT IMPLY machine is stable to maximum angle of safe engine operation.

POWER TRAIN

Ground Drive Transmission	
Ground Drive	Hydrostatic, infinitely variable from zero to maximum, gearbox to axle, speed and direction controlled with single lever.
Pump Drive Clutch	Mechanical, hand-operated, spring-loaded, with tension roller for belt drive.
Digging Chain Clutch	Mechanical, hand-operated, spring-loaded with tension roller for belt drive.
Tires	
Drive, standard	16 x 6.50 x 8
Drive, optional	18 x 8.50 x 8
Trail	13 x 5.00 x 6
Trencher Drive	Mechanical; belt drive to reduction drive, headshaft.
Belt	"Power Band" - 2 groove
Digging Chain	33,000 lb (14,969 kg) test
Chain Drive Sprocket	Forged and tempered.
Digging Teeth, standard	Bolt-on cup teeth with hard surface edge of tungsten carbide.
Spoil Handling Drive	Mechanical; attached to and rotates with headshaft.

HYDRAULIC SYSTEM

Ground Drive Pump Capacity @ 2500 rpm	9.8 gpm	37.0 L/min
Filtration	Suction full flow, 10 micron nominal.	
Hydraulic Drive Motor		
Torque @ 1000 psi (69 bar) and 9.8 gpm (37.0 L/min)		
1030	643 in·lb	73 N·m
1230	714 in·lb	81 N·m
Speed @ 1000 psi (69 bar) and 9.8 gpm (37.0 L/min)		
1030	410 rpm	410 r/min
1230	369 rpm	369 r/min
Displacement		
1030	5.4 in³ / rev	88.5 cm³ / rev
1230	6.0 in³ / rev	98.0 cm³ / rev
Type	Bi-directional	
Hydraulic Cylinder		
Function	Boom lift	
Type	Double-acting	

FLUID CAPACITIES

Hydraulic Reservoir	4.5 gal	17.0 L
Hydraulic System	5.0 gal	18.9 L
Headshaft Reducer Oil	2.0 pt	0.95 L
Axle Reducer Oil	2.75 pt	1.30 L

Specifications are general and subject to change without notice. If exact measurements are required, equipment should be weighed and measured. Due to selected options, delivered equipment may not necessarily match that described.

ISO-9001 Quality System Certified

AUTHORIZED DEALER:

Call Before You Dig!



1-888-258-0808



Ditch Witch®

The Underground Authority.
WORLDWIDE

The Charles Machine Works, Inc.

Ditch Witch® Worldwide Headquarters

10000 W. 10th St., Omaha, NE 68144 (402) 499-4100